

PiAmp1

Keypad connector

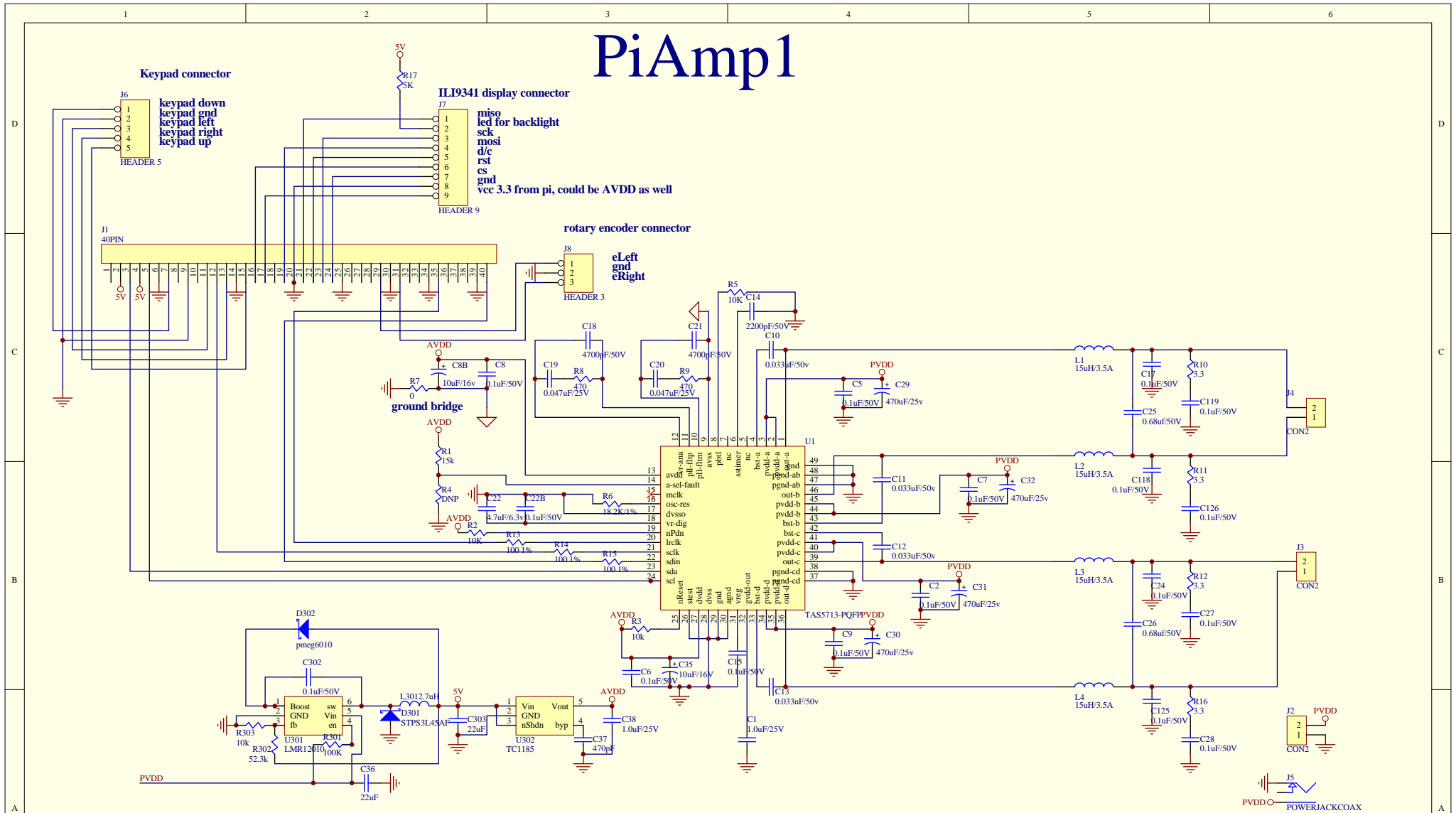
J6 keypad down
keypad gnd
keypad left
keypad right
keypad up

ILI9341 display connector

J7 miso
sck
mosi
d/c
rst
cs
gnd
Vcc 3.3 from pi, could be AVDD as well

rotary encoder connector

J8 eLeft
gnd
eRight



Title		
Size	Number	Revision
Date:	4-Jan-2018	Sheet of
File:	C:\Users\chuck\Desktop\PiAmp1.ddb	Drawn By: